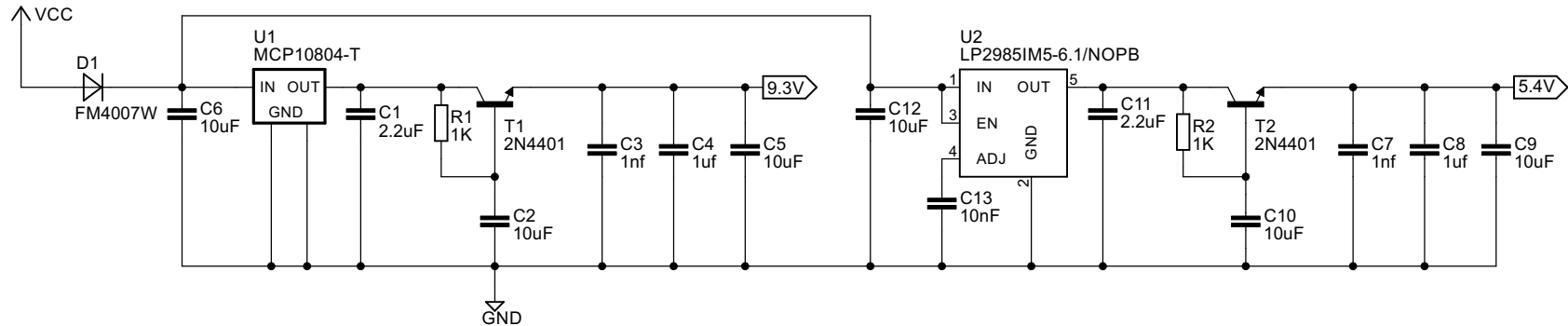
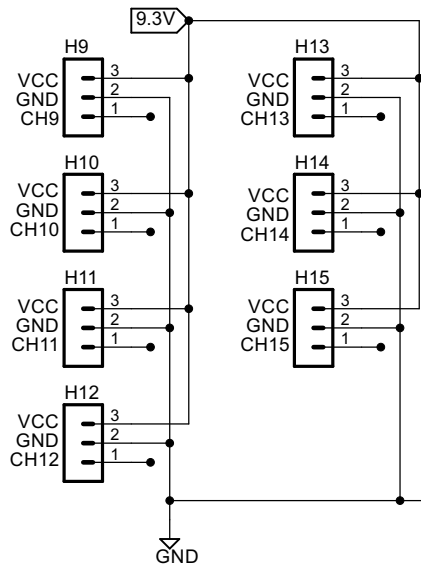


POWER SUPPLY



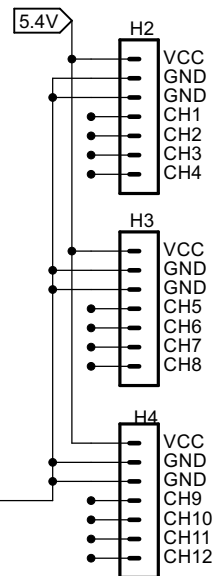
ANALOG INPUTS (CH9-CH15)

Note: 1x3 male header
2.54mm pitch



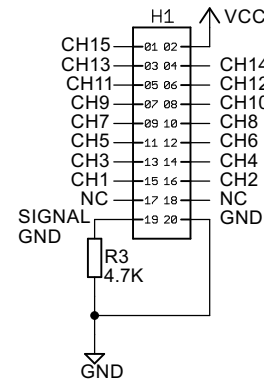
FPC CONNECTORS (NU OUTPUTS; CH1-CH12)

Note: 7P ZIF connectors

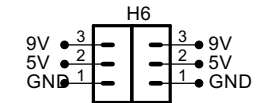


OUTPUT HEADER

Note: 2x10 male header
2mm pitch



SUPPLY EXPANSION HEADERS



Internal Breakout Project by Cycfi Research is licensed under a Creative Commons Attribution-ShareAlike 4.0 International License.

Copyright CYCFI Research Inc. 2013-2017



TITLE: Internal Breakout

Document Number: 201718

REV:
v1.2

Date: 12/29/2015 2:35:25 PM

Sheet: 1/1